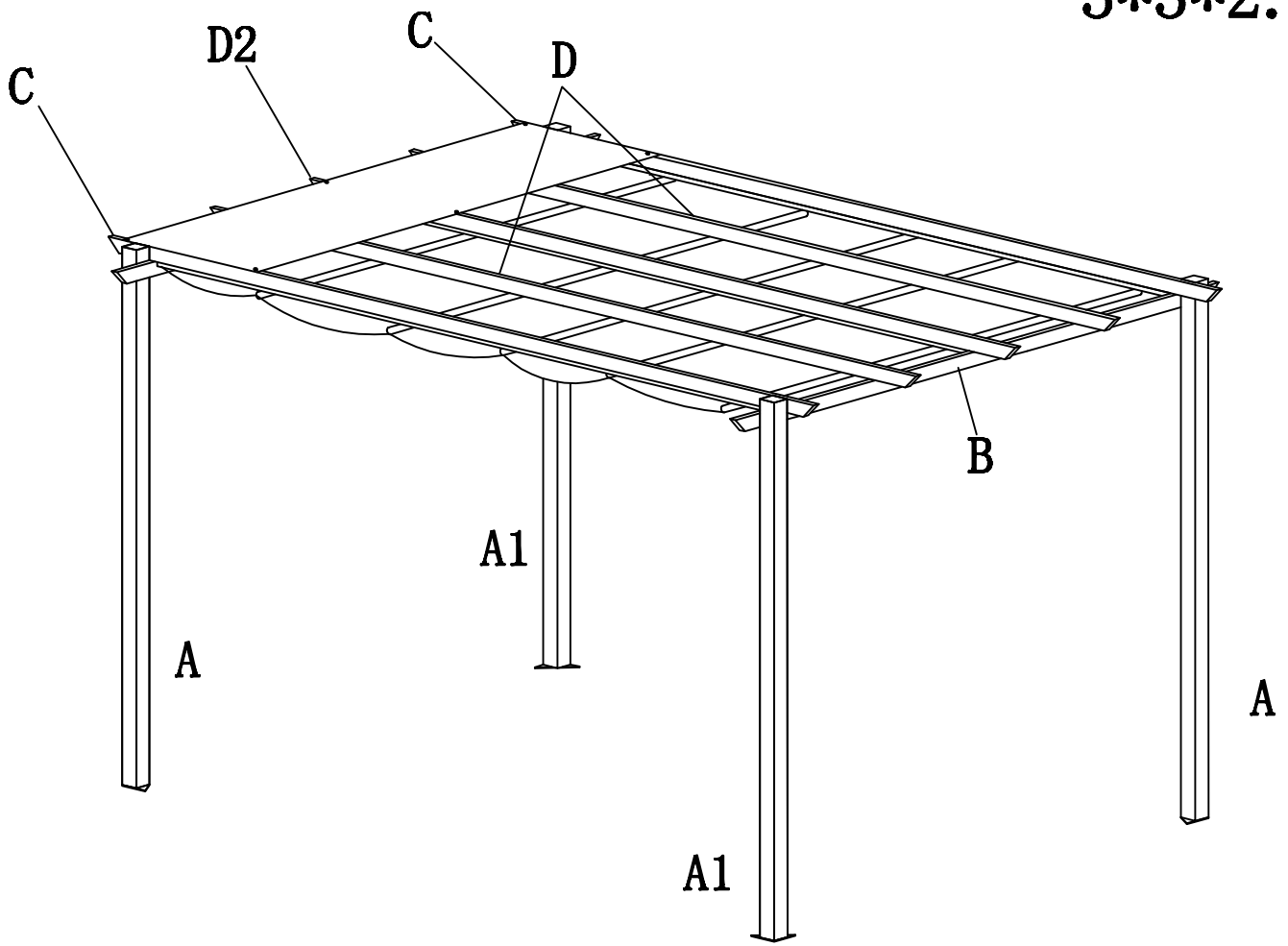
















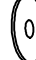


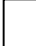




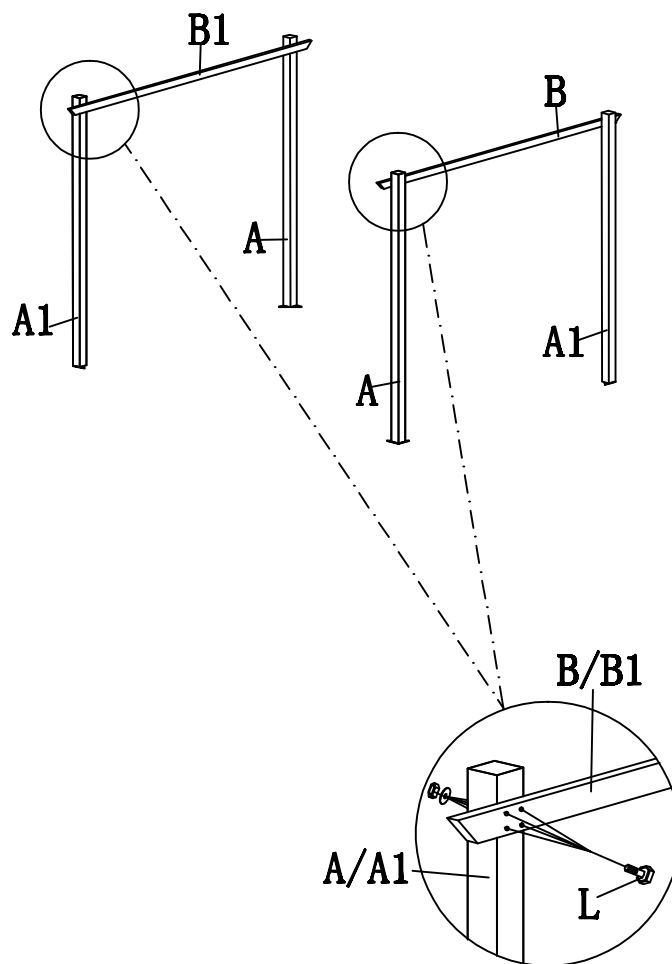


DU411-1  
3\*3\*2.3

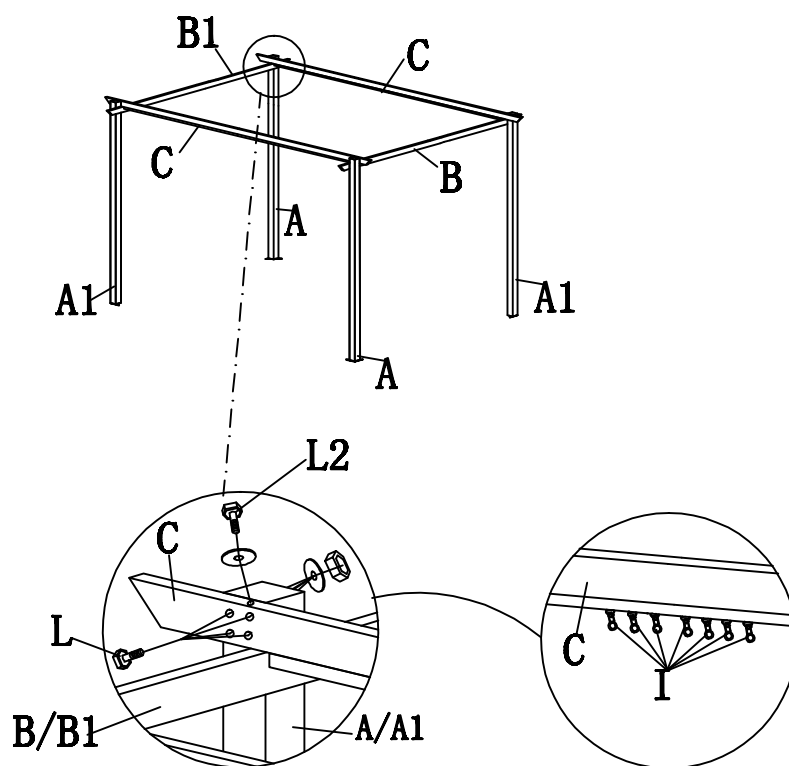


														
<b>A</b> 2PCS	<b>A1</b> 2PCS	<b>B</b> 1PCS	<b>B1</b> 1PCS	<b>C</b> 2PCS	<b>D</b> 2PCS	<b>D2</b> 1PCS	<b>F</b> 5PCS	<b>G</b> 3PCS						
														
<b>H</b> 5PCS	<b>I</b> 10PCS	<b>L</b> 32PCS	<b>L2</b> 4PCS	<b>L3</b> 9PCS	<b>L4</b> 22PCS	<b>N1</b> 35PCS	<b>N2</b> 32PCS	<b>N3</b> 32PCS	<b>J</b> 1PCS	<b>K</b> 1PCS	<b>M</b> 2PCS	<b>M6/M5</b> 2PCS	<b>M8/M6</b> 2PCS	<b>L</b> 8PCS

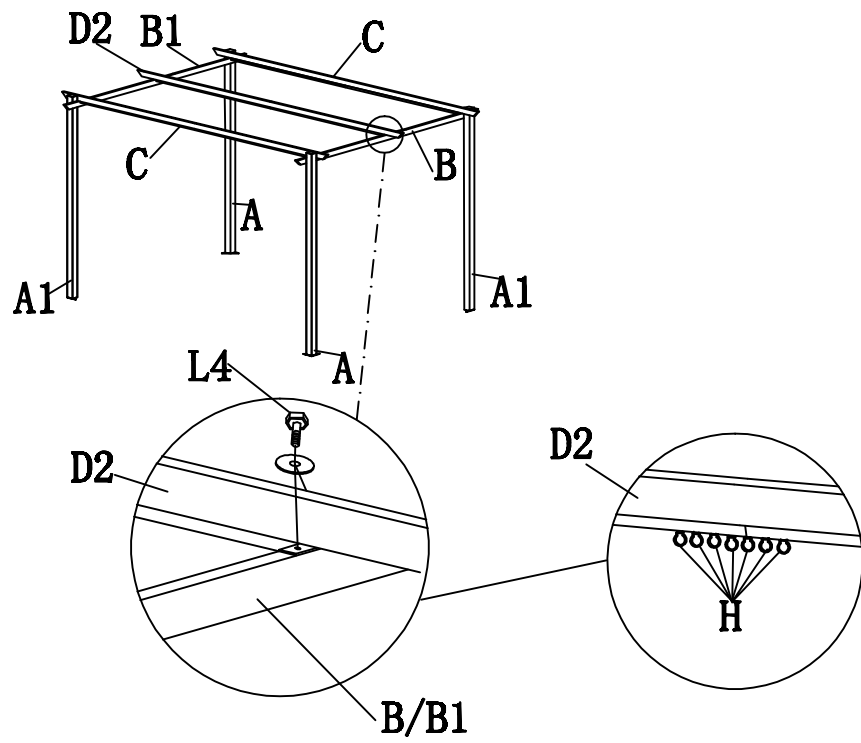
1.



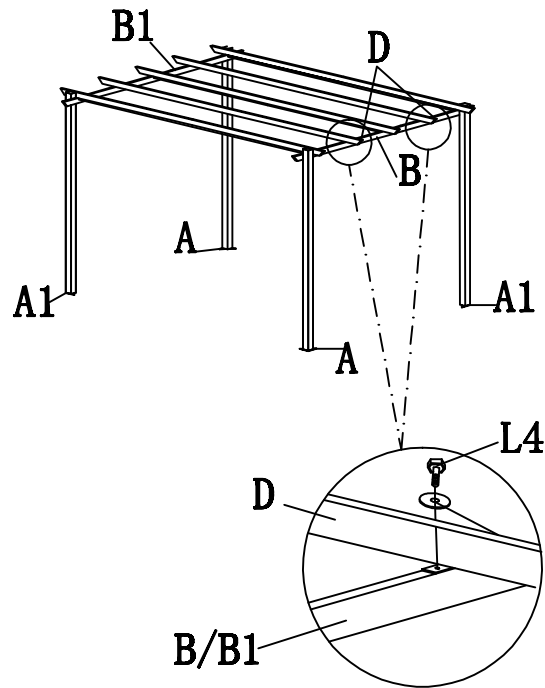
2.



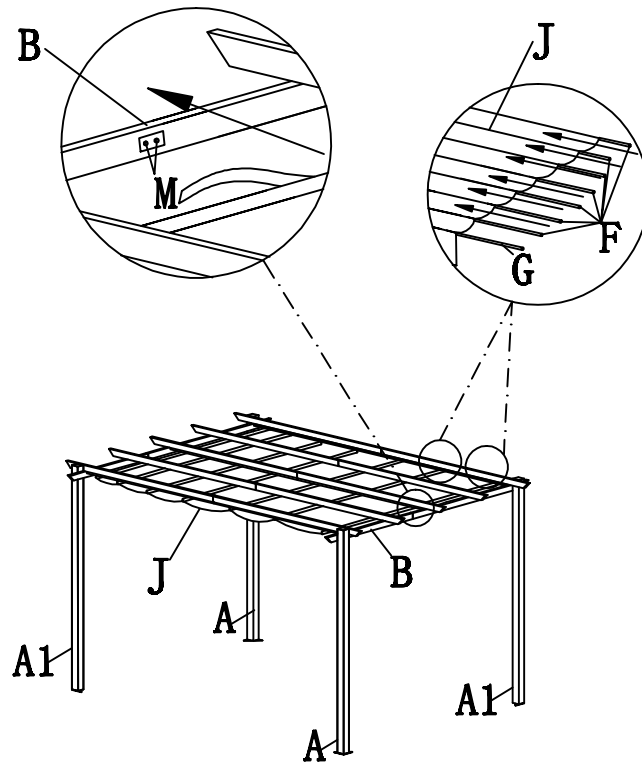
3.



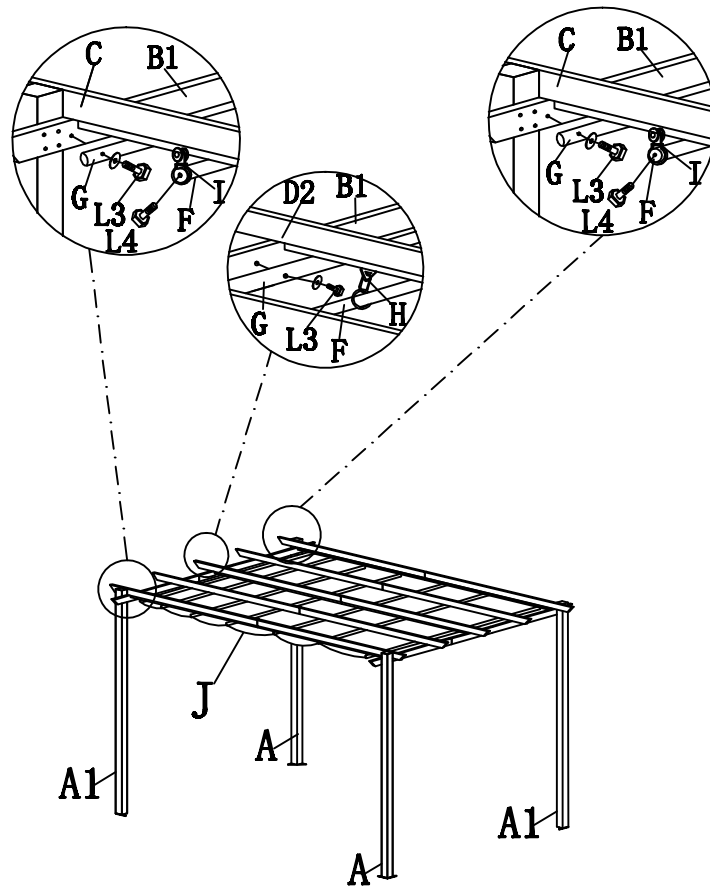
4.



5.



6.



7.

